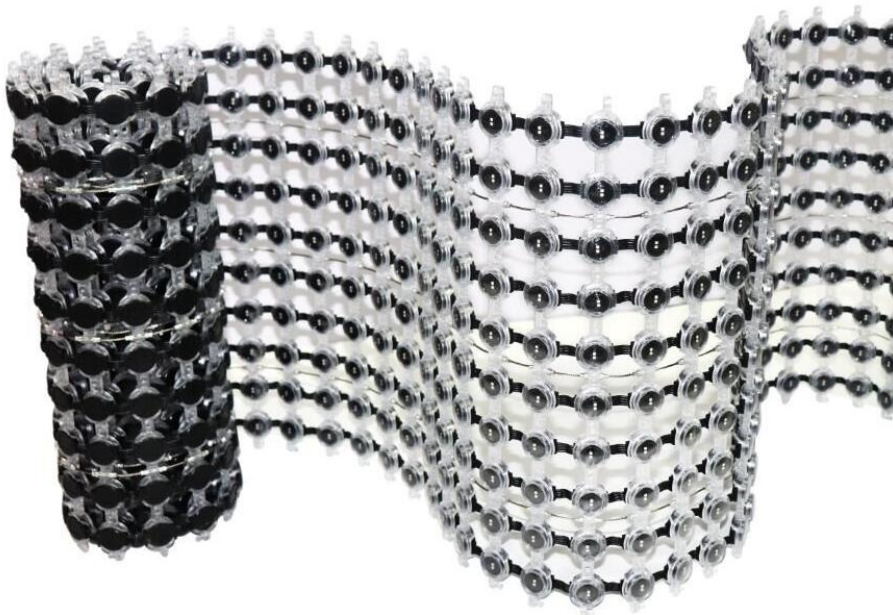




PRODUCT SPECIFICATION

Led Mesh Screen

SH-JD22

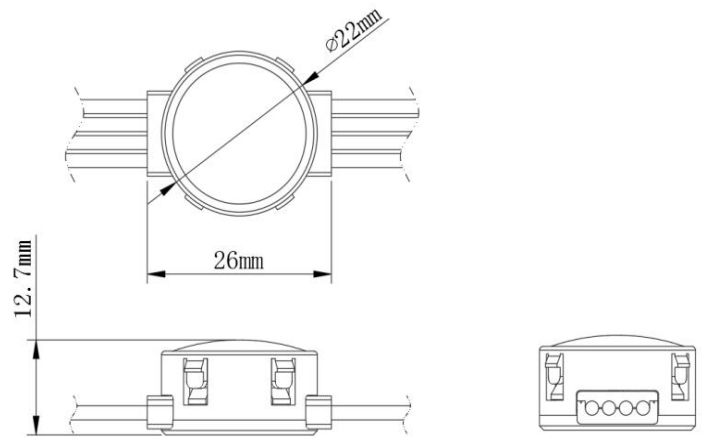




Product Feature

- ◇ These products are made by SMD 3535RGB high brightness LED with big view angle.
- ◇ Use Taiwan Epistar chip, with high Brightness, light color consistency, good color saturation Strong stability etc.
- ◇ With special buckle construction, for all kinds of board. Directly to install after dig the holes, easy and quickly, very convenient.
- ◇ With PU glue sealing, not easy to crack, waterproof and high product protection.
- ◇ The wire and shell are resistant to cold, UV and flame retardant material, suitable for long-term outdoor use.

Size Chart



Specification

Product specifications	SH-JD22-P40-DMX- RGB	SH-JD22-P50-DMX- RGB	SH-JD22-P80-DMX- RGB	SH-JD22-P100-DMX- RGB
Voltage	12V	12V	12V	12V
Wattage/sqm	250W	160W	63W	40W
Led type	625 pixel	400 pixel	156 pixel	100 pixel
Gray Level	4096	4096	4096	4096
IP Grade	IP68	IP68	IP68	IP68
Control method	DMX	DMX	DMX	DMX
Wavelength	R : 615-630nm G: 525-545nm B : 460-480nm	R : 615-630nm G: 525-545nm B : 460-480nm	R : 615-630nm G: 525-545nm B : 460-480nm	R : 615-630nm G: 525-545nm B : 460-480nm
Chip manufacturer	Epistar / Cree			
Light source life	≥30000H			
Beam angle	≥120°			
Operating temperature	-20°C~+60°C			
Storage temperature	-40°C~+75°C			



Application

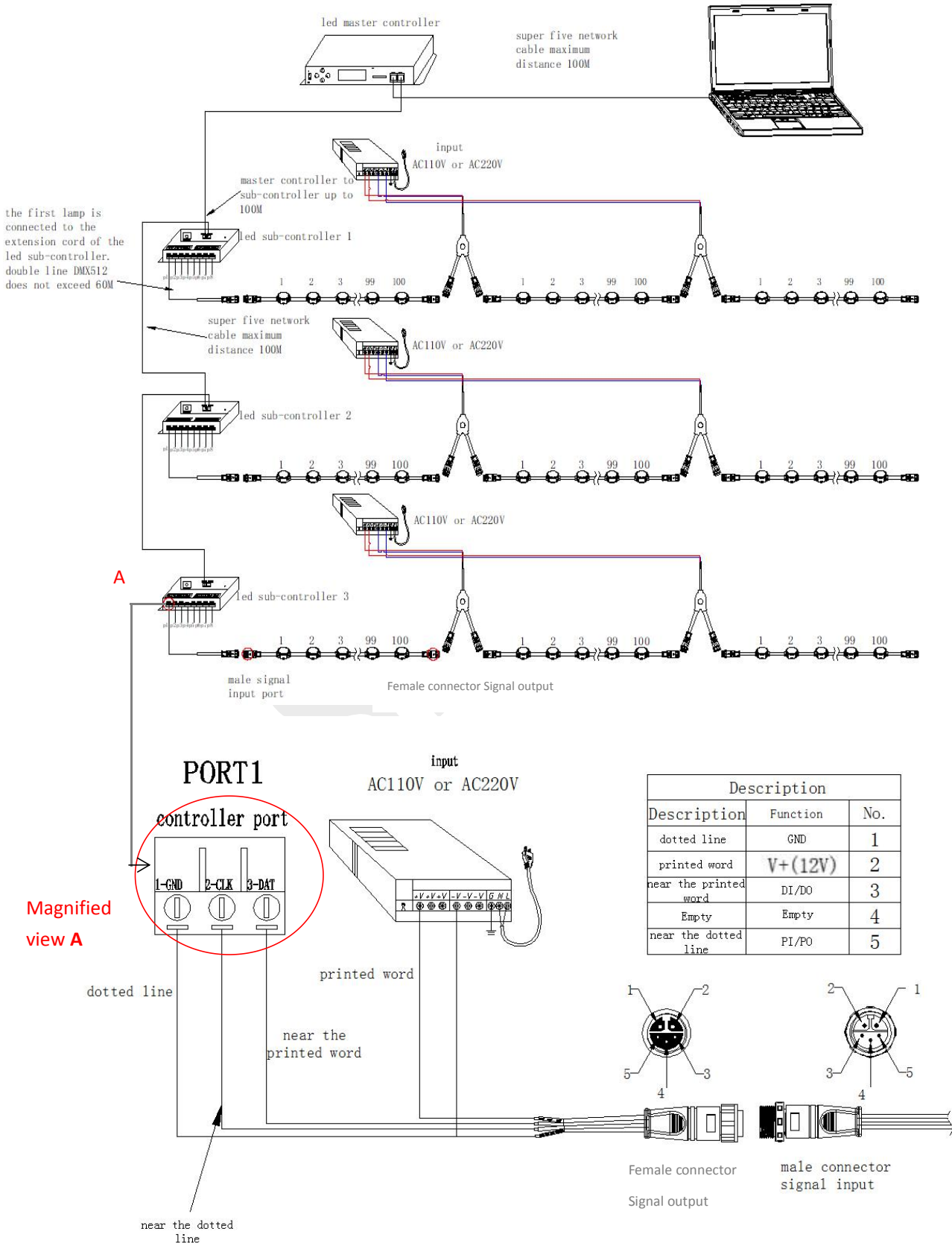
- ◆ Building lighting decoration
- ◆ Media facade lighting
- ◆ Large shopping mall exterior
- ◆ Entertainment or stage lighting, such as clubs and KTV
- ◆ Hotels led screen

Reliability Test Item And Conditions

Test Item	Test Conditions	Test Duration	Judgement standard
Power Test	Input Voltage 12V, Ta=25°C±5°C	30min	Wattage ± 10%
Temperature Test	Input Voltage: 12.5V with white color	30min	≤60°C
Drop Test	Free fall at 1.2m height	10 Cycles	No damage to the appearance, normal function
Thermal Shock	-40°C(30min) ~ 100°C (30min)	200 Cycles	No damage to the appearance, normal function
Salt Spray Test	5% NaCl	72H	The material is non-corrosive and functional
Anti-UV Test	UV-A, 350-400nm, 60°C	72H	The material is free from aging and discoloration, functioning normally
Switching Cycle Test	ON 25 second / OFF 5 second, ON/OFF cycle	48H / 5000 cycle	Functioning normally
Voltage Test	DC 500V	Once	Functioning normally
ESD Test	3000V	Once	Functioning normally
High and Low Temperature Test	-30°C~65°C, RH 85%	72H	Functioning normally
Tensile Test	Input/output line, pull force 20KG or more	Once	The wire is not broken and functions normally
Vibration Test	Horizontal and vertical direction	4H	Functioning normally
IP Rating	IP68 0.5m underwater	48H	Functioning normally
Flame Retardant Rating	Refer to UL94-V0 standard	10 Cycle	Self-extinguishing from the fire, no burning matter falling



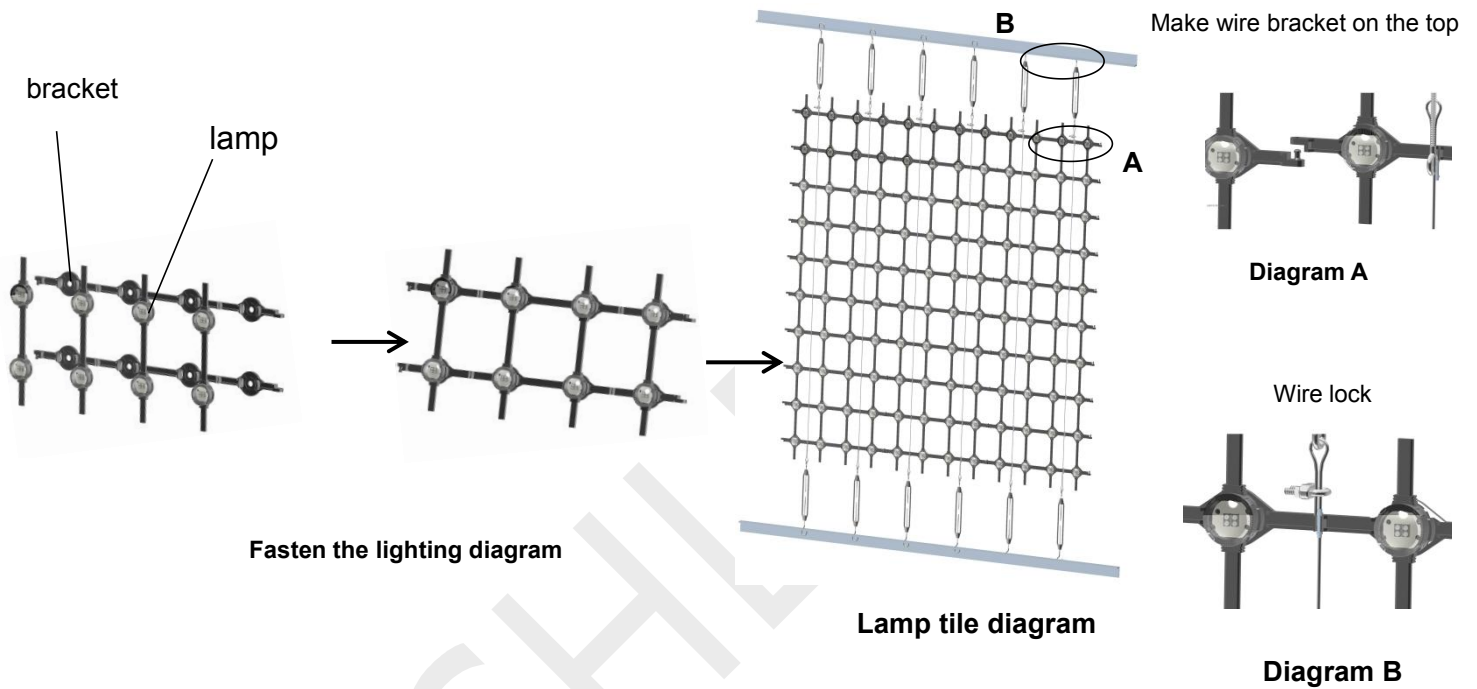
Connection Diagram





Installation Diagram

Steel Wire With Bracket



Notes

1. The output voltage of the power supply cannot be higher than the rated voltage, otherwise it will cause damage to the luminaire.
2. Do not carry live work.
3. All power cords and wire connections should be waterproofed after soldering.
4. Non-professionals, please do not replace the controller and power supply at will, avoid wiring errors and cause malfunctions.



Project Case

